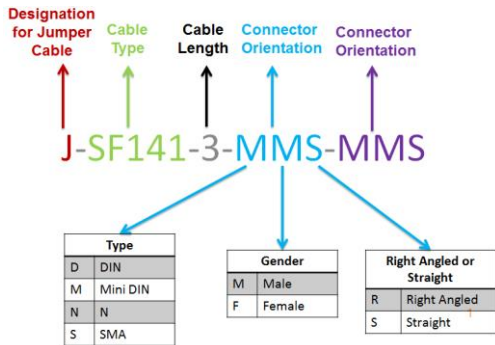


Product Specification: Low PIM Jumper Cables



Product Name	Length	Connector Orientation
J-SF141-3-MMR-NMR	3 ft	Mini DIN Male (Right Angled) to N Male (Right Angled)
J-SF141-6-MMR-NMR	6 ft	Mini DIN Male (Right Angled) to N Male (Right Angled)
J-SF141-6-MMR-NFS	6 ft	Mini DIN Male (Right Angled) to N Female (Straight)
J-SF141-6-DMS-DMS	6 ft	DIN Male (Straight) to DIN Male (Straight)
J-SF141-6-DMS-NMS	6 ft	DIN Male (Straight) to N Male (Straight)
J-SF141-10-DMS-NFS	10 ft	DIN Male (Straight) to N Female (Straight)
J-SF141-1H-NMR-NMR	1.5ft	N Male (Right Angled) to N Male (Right Angled)
J-SF141-3-NMS-NMS	3 ft	N Male (Straight) to N Male (Straight)
J-SF141-3-NMS-NFS	3 ft	N Male (Straight) to N Female (Straight)
J-SF141-3-NMS-SMS	3 ft	N Male (Straight) to SMA Male (Straight)
J-SF141-6-NMS-NMS	6 ft	N Male (Straight) to N Male (Straight)
J-SF141-6-NMS-SMS	6 ft	N Male (Straight) to SMA Male (Straight)
J-SF141-3-SMS-SMS	3 ft	SMA Male (Straight) to SMA Male (Straight)
J-SF141-6-SMS-SMS	6 ft	SMA Male (Straight) to SMA Male (Straight)

Electrical Specification

	3ft	6ft
Operating Frequency	DC – 3,000 MHz	
VSWR @ 0.9 GHz	1.07	
VSWR @ 1.9 GHz	1.10	
VSWR @ 2.2 GHz	1.15	
VSWR @ 3.0 GHz	1.2	
Insertion Loss @ 0.9 GHz	-0.50 dB	-0.90 dB
Insertion Loss @ 1.9 GHz	-0.60 dB	-1.10 dB
Insertion Loss @ 2.2 GHz	-0.70 dB	-1.20 dB
Insertion Loss @ 3.0 GHz	-0.90 dB	-1.50 dB
PIMD (3rd) @ 20W (2-tone)	< -153 dBc (Max) @ 1.8 GHz	
Operating Temperature	-40° ~ 176° F	
Impedance	50 Ω	

Material Specification

Connector Body	STANI-PLATED BRASS
Insulator	PTFE
Coupling Nut	STANI-PLATED BRASS



Construction Specification

	Material	Diameter
Center Conductor	SPC	0.92 mm (0.036 in)
Dielectric	PTFE	2.98 mm (0.117 in)
Braid	TC	3.58 mm (0.141 in)
Jacket	FEP	4.14 mm (0.163 in)

Specifications are subject to change without notice. ©2015 Advanced RF Technologies, Inc.