

# AD-OMNI-SISO-N-X

## Omni-Directional SISO Antenna

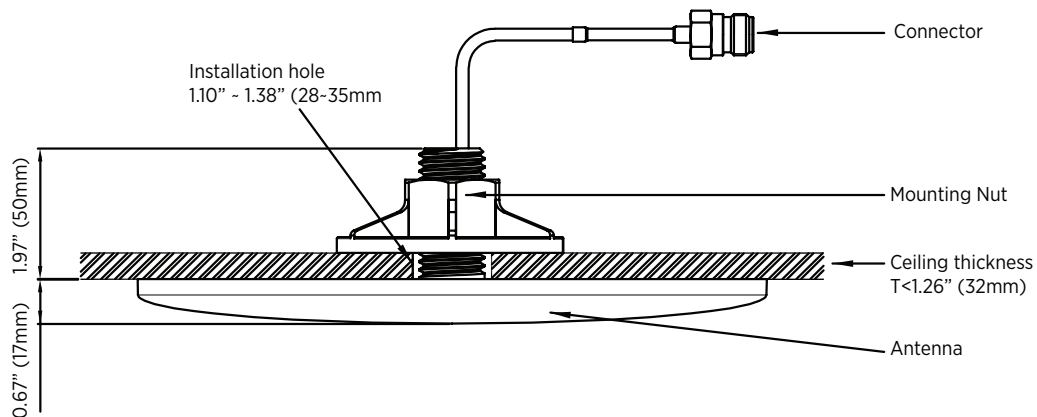


### Electronic Specifications

Frequency Range	617 - 698 MHz	698 - 960 MHz	1695 - 2200 MHz	2300 - 2700 MHz	3300 - 4200 MHz	4900 - 6000 MHz
Gain	2.9 dBi	3.5 dBi	4.0 dBi	4.3 dBi	4.6 dBi	5.6 dBi
Beamwidth	360°, Omni-directional					
Polarization	Linear Horizontal					
VSWR	1.8 : 1					
Intermodulation IM3	N/A	-150 dBc (2 x 43 dBm)				N/A
Impedance	50 Ω					
Power Rating	70 W (Max)					

### Mechanical Specifications

Dimension (D x H)	9.4 x 0.7 in (240 x 17 mm)					
Color	White					
Weight	1.1 lbs (0.5 kg)					
RF Connector	N-Type (Female)					
Mounting	Ceiling Tile					
Operational Temperature	-40°F - +140°F (-40°C - +60°C)					
Radome Material	PC / ABS					



Web [www.adrftech.com](http://www.adrftech.com)  
 Tel +1 818.840.8131 Fax +1 818.840.8138  
 Technical/Customer Support +1 800.313.9345  
 3116 West Vanowen St. Burbank, CA 91505

