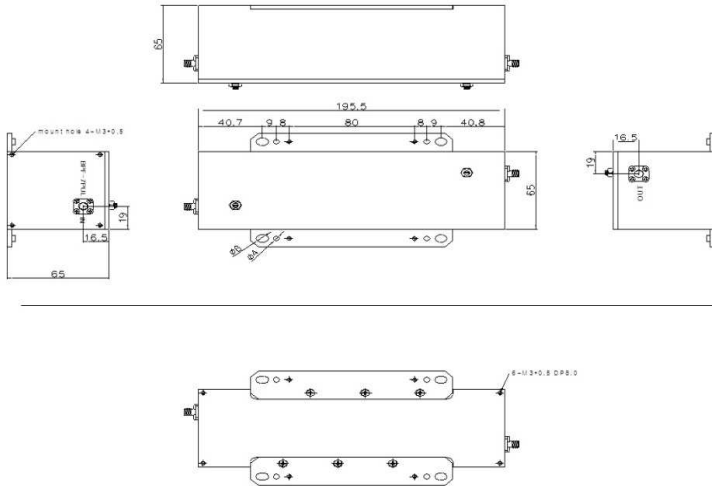


# Product Specification

## ADX-BPF

### ADX Band-Pass Filters

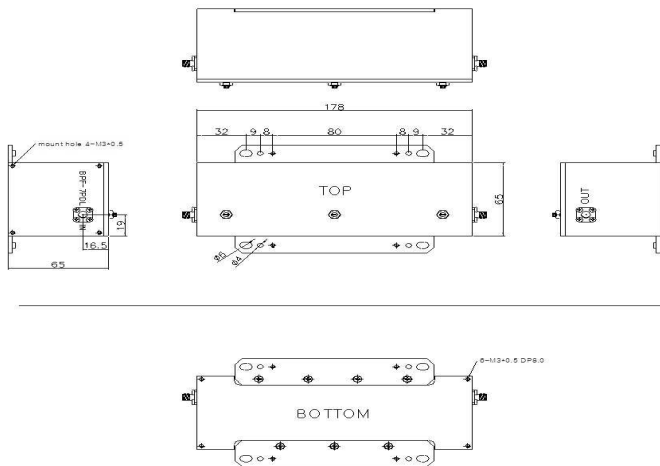


#### ADX-BPF-7PUL

<b>Dimension (W x H x D)</b>	7.7 x 2.6 x 2.6 in
<b>Weight</b>	2.4 lbs
<b>Frequency Range</b>	788 – 805 MHz
<b>Insertion Loss @ Center</b>	1.2dB Max
<b>Insertion Loss @ Edges</b>	5dB Max
<b>Pass Band Ripple</b>	4 dB Max
<b>VSWR</b>	< 1 : 1.5
<b>Roll Off 1</b>	25 dBc Min @ 806 MHz
<b>Roll Off 2</b>	25 dBc Min @ 787 MHz
<b>Roll Off 3</b>	80 dBc Min @ 775 MHz
<b>Power Rating</b>	10 Watt @ CW
<b>IN/OUT Impedance</b>	50 Ω
<b>IN/OUT Connector</b>	SMA-Female
<b>Operating Temp</b>	14 ~ 140° F

Specifications are subject to change without notice. ©2014 Advanced RF Technologies, Inc.

# Product Specification

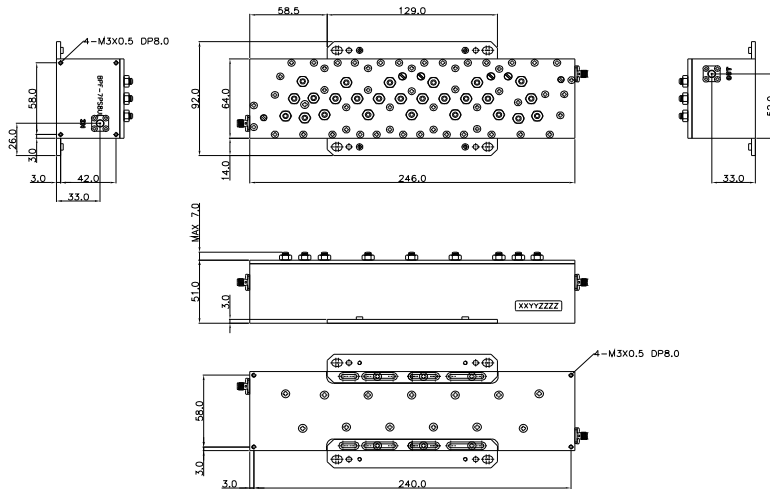


## ADX-BPF-7PDL

<b>Dimension (W x H x D)</b>	7.0 x 2.6 x 2.6 in
<b>Weight</b>	2.2 lbs
<b>Frequency Range</b>	758 – 774.5 MHz
<b>Insertion Loss @ Center</b>	1.2dB Max
<b>Insertion Loss @ Edges</b>	4dB Max
<b>Pass Band Ripple</b>	3dB Max
<b>VSWR</b>	< 1 : 1.5
<b>Roll Off 1</b>	3.5 dBc Min @ 757 MHz
<b>Roll Off 2</b>	60 dBc Min @ 776.5 MHz
<b>Power Rating</b>	10 Watt @ CW
<b>IN/OUT Impedance</b>	50 Ω
<b>IN/OUT Connector</b>	SMA-Female
<b>Operating Temp</b>	14 ~ 140° F

Specifications are subject to change without notice. ©2014 Advanced RF Technologies, Inc.

# Product Specification

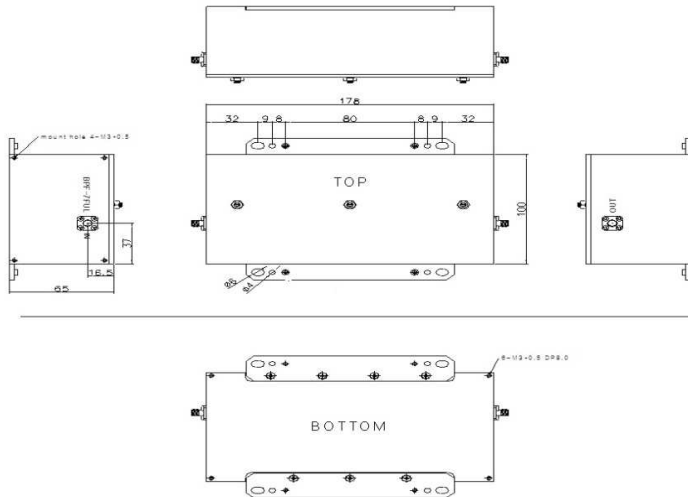


## ADX-BPF-7PS8UL

<b>Dimension (W x H x D)</b>	9.7 x 2.5 x 2.0 in
<b>Weight</b>	2.4 lbs
<b>Frequency Range</b>	788 – 823.25 MHz
<b>Insertion Loss @ Center</b>	1dB Max
<b>Insertion Loss @ Edges</b>	5dB Max
<b>Pass Band Ripple</b>	4 dB Max
<b>VSWR</b>	< 1 : 1.5
<b>Roll Off 1</b>	30 dBc Min @787MHz
<b>Roll Off 2</b>	10 dBc Min @824MHz
<b>Roll Off 3</b>	35 dBc Min @824.75MHz
<b>Power Rating</b>	10 Watt @ CW
<b>IN/OUT Impedance</b>	50 Ω
<b>IN/OUT Connector</b>	SMA-Female
<b>Operating Temp</b>	14 ~ 140° F

Specifications are subject to change without notice. ©2014 Advanced RF Technologies, Inc.

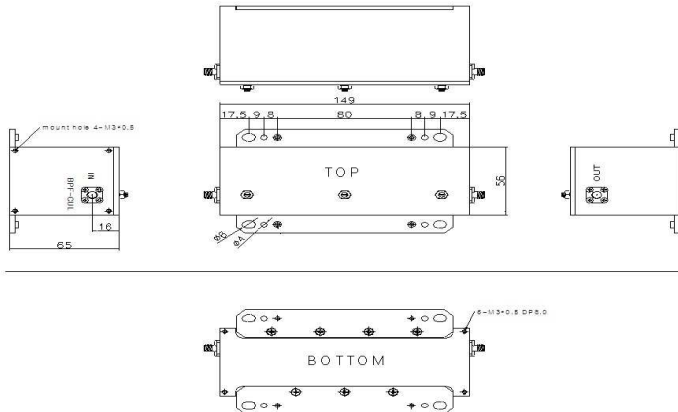
# Product Specification



ADX-BPF-7FUL	Upper C- UL	Lower A/B/C- UL
<b>Dimension (W x H x D)</b>	7.0 x 3.9 x 2.6 in	
<b>Weight</b>	3.1 lbs	
<b>Frequency Range</b>	776 – 787 MHz	698 – 716 MHz
<b>Insertion Loss @ Center</b>	1.5dB Max	1dB Max
<b>Insertion Loss @ Edges</b>	4dB Max	1.5dB Max
<b>Pass Band Ripple</b>	3 dB Max	1dB Max
<b>VSWR</b>	< 1 : 1.5	
<b>Roll Off 1</b>	60 dBc Min @774.5MHz	25 dBc Min @728MHz
<b>Power Rating</b>	10 Watt @ CW	
<b>IN/OUT Impedance</b>	50 Ω	
<b>IN/OUT Connector</b>	SMA-Female	
<b>Operating Temp</b>	14 ~ 140° F	

Specifications are subject to change without notice. ©2014 Advanced RF Technologies, Inc.

# Product Specification

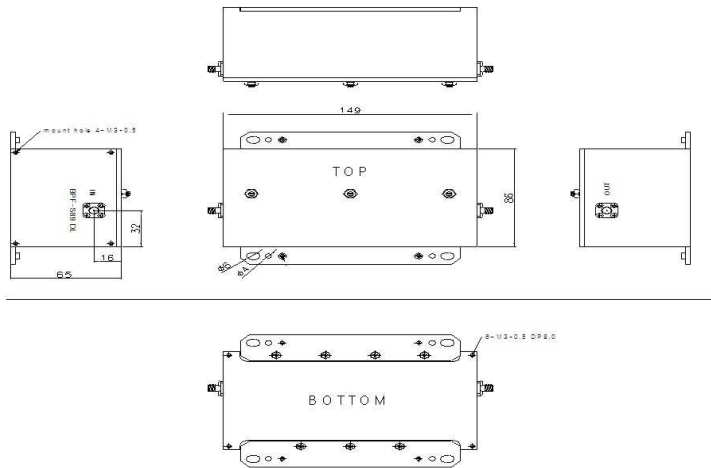


## ADX-BPF-CUL

<b>Dimension (W x H x D)</b>	5.9 x 2.2 x 2.6 in
<b>Weight</b>	1.7 lbs
<b>Frequency Range</b>	824.75 – 849 MHz
<b>Insertion Loss @ Center</b>	1.2dB Max
<b>Insertion Loss @ Edges</b>	5.5dB Max
<b>Pass Band Ripple</b>	4.5 dB Max
<b>VSWR</b>	< 1 : 1.5
<b>Roll Off 1</b>	60 dBc Min @851MHz
<b>Roll Off 2</b>	3 dBc Min @823.25 MHz
<b>Roll Off 3</b>	35dBc Min @814MHz
<b>Power Rating</b>	10 W @ CW
<b>IN/OUT Impedance</b>	50 Ω
<b>IN/OUT Connector</b>	SMA-Female
<b>Operating Temp</b>	14 ~ 140° F

Specifications are subject to change without notice. ©2014 Advanced RF Technologies, Inc.

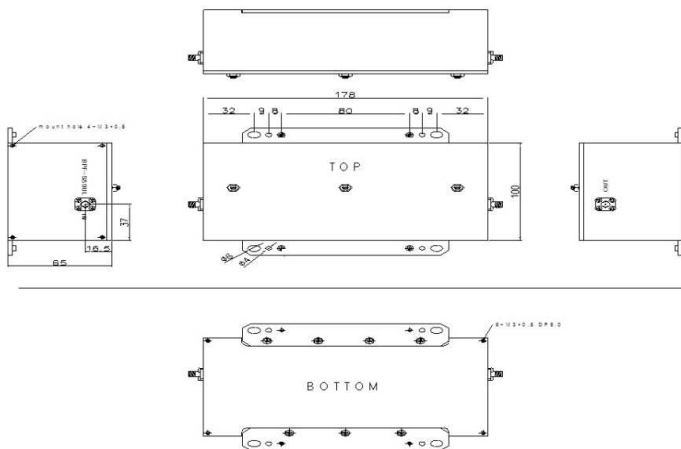
# Product Specification



ADX-BPF-S89DL	SMR 800 DL	SMR 900 DL
<b>Dimension (W x H x D)</b>	5.9 x 3.3 x 2.6 in	
<b>Weight</b>	2.4 lbs	
<b>Frequency Range</b>	851 – 869 MHz	935 – 940 MHz
<b>Insertion Loss @ Center</b>	1.2dB Max	
<b>Insertion Loss @ Edges</b>	5dB Max	2dB Max
<b>Pass Band Ripple</b>	4dB Max	2dB Max
<b>VSWR</b>	< 1 : 1.5	
<b>Roll Off 1</b>	60 dBc Min @849MHz	18dBc Min @ 930 MHz
<b>Roll Off 2</b>	80dBc Min @824MHz	18dBc Min @ 945 MHz
<b>Roll Off 3</b>	40dBc Min @879MHz	
<b>Power Rating</b>	10 Watt @ CW	
<b>IN/OUT Impedance</b>	50 Ω	
<b>IN/OUT Connector</b>	SMA-Female	
<b>Operating Temp</b>	14 ~ 140° F	

Specifications are subject to change without notice. ©2014 Advanced RF Technologies, Inc.

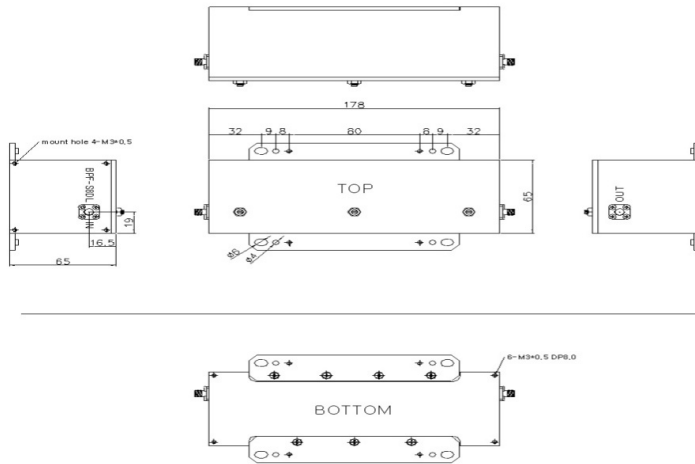
# Product Specification



ADX-BPF-S89UL	SMR 800 UL	SMR 900 UL
<b>Dimension (W x H x D)</b>	7.0 x 3.9 x 2.6 in	
<b>Weight</b>	3.1 lbs	
<b>Frequency</b>	806.5 – 823.25 MHz	896 – 901 MHz
<b>Insertion Loss @ Center</b>	1dB Max	1.2dB Max
<b>Insertion Loss @ Edges</b>	4dB Max	2dB Max
<b>Pass Band Ripple</b>	3 dB Max	1dB Max
<b>VSWR</b>	< 1 : 1.5	
<b>Roll Off 1</b>	30 dBc Min @ 804.5 MHz	30dBc Min @ 891 MHz
<b>Roll Off 2</b>	10dBc Min @ 824 MHz	30dBc Min @ 906 MHz
<b>Power Rating</b>	10 Watt @ CW	
<b>IN/OUT Impedance</b>	50 Ω	
<b>IN/OUT Connector</b>	SMA-Female	
<b>Operating Temp</b>	14 ~ 140° F	

Specifications are subject to change without notice. ©2014 Advanced RF Technologies, Inc.

# Product Specification



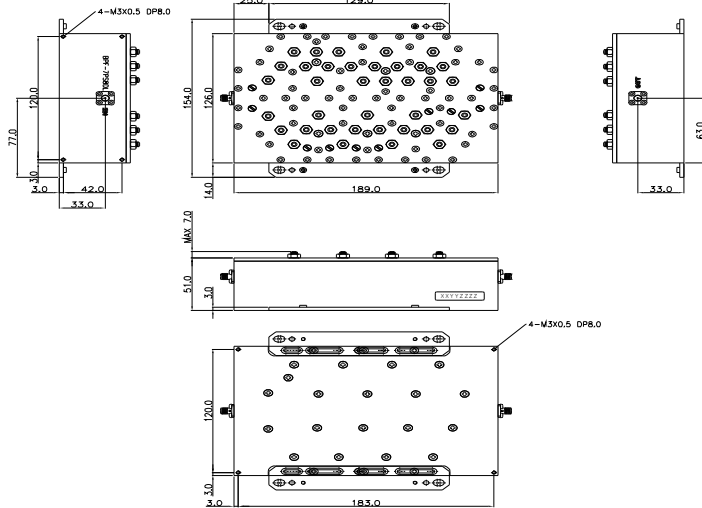
## ADX-BPF-S8DL

<b>Dimension (W x H x D)</b>	7.0 x 2.6 x 2.6 in
<b>Weight</b>	2.2 lbs
<b>Frequency</b>	851 – 869 MHz
<b>Insertion Loss @ Center</b>	1dB Max
<b>Insertion Loss @ Edges</b>	5dB Max
<b>Pass Band Ripple</b>	4dB Max
<b>VSWR</b>	< 1 : 1.5
<b>Roll Off 1</b>	60 dBc Min @ 849 MHz
<b>Roll Off 2</b>	70 dBc Min @ 824 MHz
<b>Roll Off 3</b>	40 dBc Min @ 879 MHz
<b>Power Rating</b>	10 Watt @ CW
<b>IN/OUT Impedance</b>	50 Ω
<b>IN/OUT Connector</b>	SMA-Female
<b>Operating Temp</b>	14 ~ 140° F

Specifications are subject to change without notice. ©2014 Advanced RF Technologies, Inc.



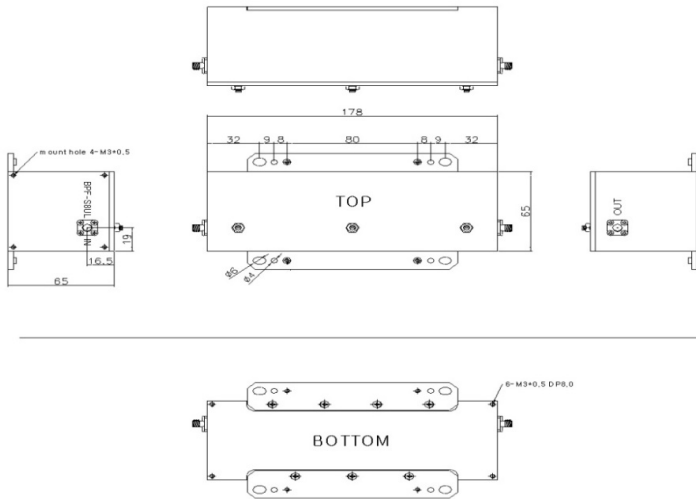
# Product Specification



ADX-BPF-7PS8DL	PSR 700 DL	PSR 800 DL
<b>Dimension (W x H x D)</b>	7.4 x 5.0 x 2.0 in	
<b>Weight</b>	4.2 lbs	
<b>Frequency</b>	758 – 774.5 MHz	851 – 869 MHz
<b>Insertion Loss @ Center</b>	1dB Max	
<b>Insertion Loss @ Edges</b>	5dB Max	
<b>Pass Band Ripple</b>	4dB Max	
<b>VSWR</b>	< 1 : 1.5	
<b>Roll Off 1</b>	60 dBc Min @ 776.5 MHz	60 dBc Min @ 849 MHz
<b>Power Rating</b>	10 Watt @ CW	
<b>IN/OUT Impedance</b>	50 Ω	
<b>IN/OUT Connector</b>	SMA-Female	
<b>Operating Temp</b>	14 ~ 140° F	

Specifications are subject to change without notice. ©2014 Advanced RF Technologies, Inc.

# Product Specification

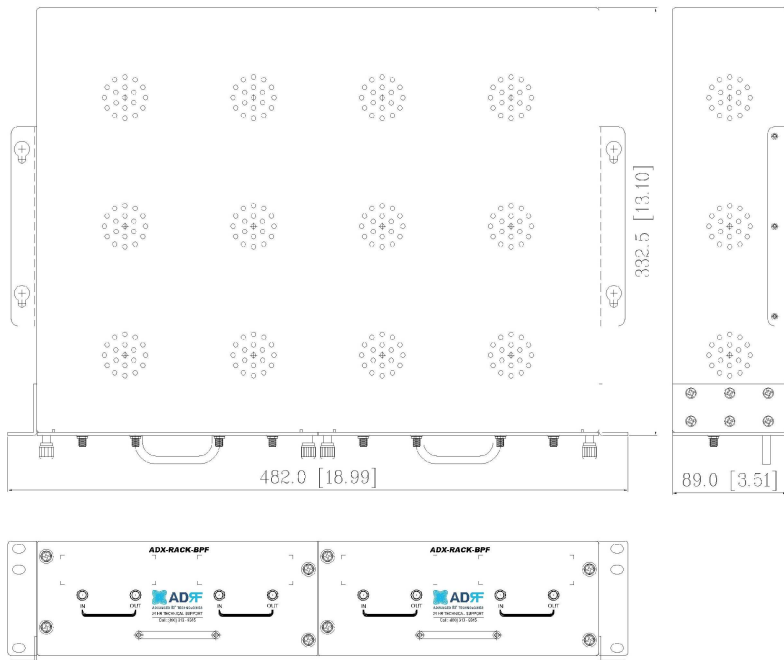


## ADX-BPF-S8UL

<b>Dimension (W x H x D)</b>	7.0 x 2.6 x 2.6 in
<b>Weight</b>	2.2 lbs
<b>Frequency Range</b>	806.5 – 823.25 MHz
<b>Insertion Loss @ Center</b>	1dB Max
<b>Insertion Loss @ Edges</b>	4dB Max
<b>Pass Band Ripple</b>	3 dB Max
<b>VSWR</b>	< 1 : 1.5
<b>Roll Off 1</b>	25 dBc Min @804.5 MHz
<b>Roll Off 2</b>	10 dBc Min @824 MHz
<b>Roll Off 3</b>	35 dBc Min @824.75 MHz
<b>Roll Off 4</b>	70 dBc Min @851 MHz
<b>Power Rating</b>	10 Watt @ CW
<b>IN/OUT Impedance</b>	50 Ω
<b>IN/OUT Connector</b>	SMA-Female
<b>Operating Temp</b>	14 ~ 140° F

Specifications are subject to change without notice. ©2014 Advanced RF Technologies, Inc.

# Product Specification



## ADX-RACK-BPF

**Dimension (W x H x D)** 19 x 3.5 x 13.1 in

**Weight (without filters)** 8.5 lbs

**Connectors** SMA Female

**Mounting** Wall or 19" Rack

The left tray can support up to (2) of following parts:

- **ADX-R-BPF-7FUL\*** (cannot be installed with ADX-R-BPF-S89UL on the same tray)
- ADX-R-BPF-7PDL
- ADX-R-BPF-S8DL
- ADX-R-BPF-7PUL
- ADX-R-BPF-CUL
- ADX-R-BPF-S89DL
- **ADX-R-BPF-S89UL\*** (cannot be installed with ADX-R-BPF-7FUL on the same tray)
- ADX-R-BPF-S8UL

The right tray can support up to (2) of following parts:

- **ADX-R-BPF-7FUL\*** (cannot be installed with ADX-R-BPF-S89UL on the same tray)
- ADX-R-BPF-7PDL
- ADX-R-BPF-S8DL
- ADX-R-BPF-7PUL
- ADX-R-BPF-CUL
- ADX-R-BPF-S89DL
- **ADX-R-BPF-S89UL\*** (cannot be installed with ADX-R-BPF-7FUL on the same tray)
- ADX-R-BPF-S8UL

Specifications are subject to change without notice. ©2014 Advanced RF Technologies, Inc.